

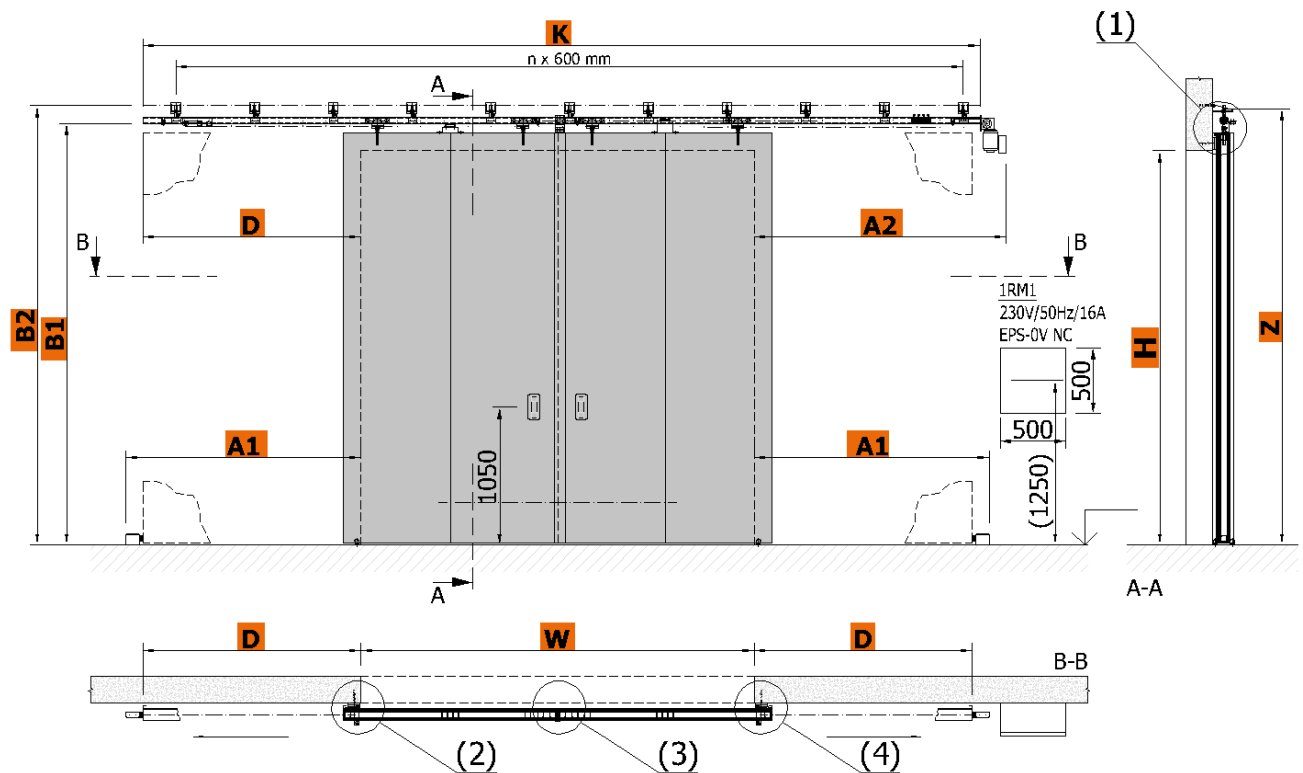


TECHNICAL DATA SHEET DOUBLE LEAF SLIDING FIRE GATES SGS (1+1) EI 120

Technical data sheets serve to determine the basic space requirements of sliding fire gates. Other dimensions or atypical demands can be solved upon request.

SGS (1+1) EI 120

MOTOR

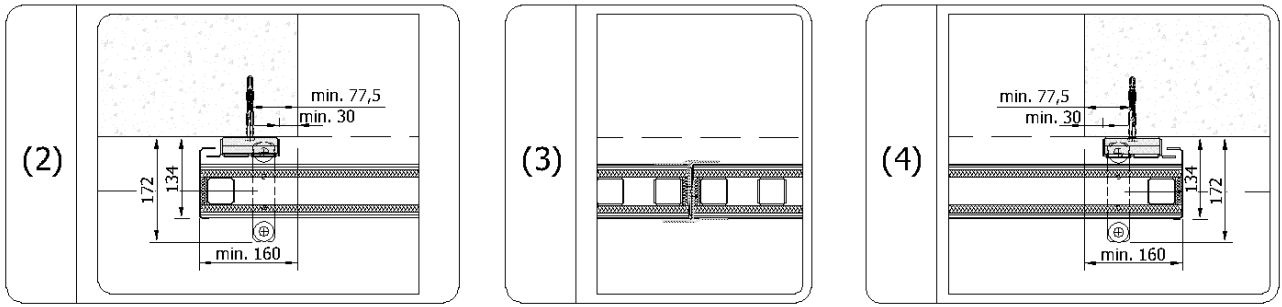
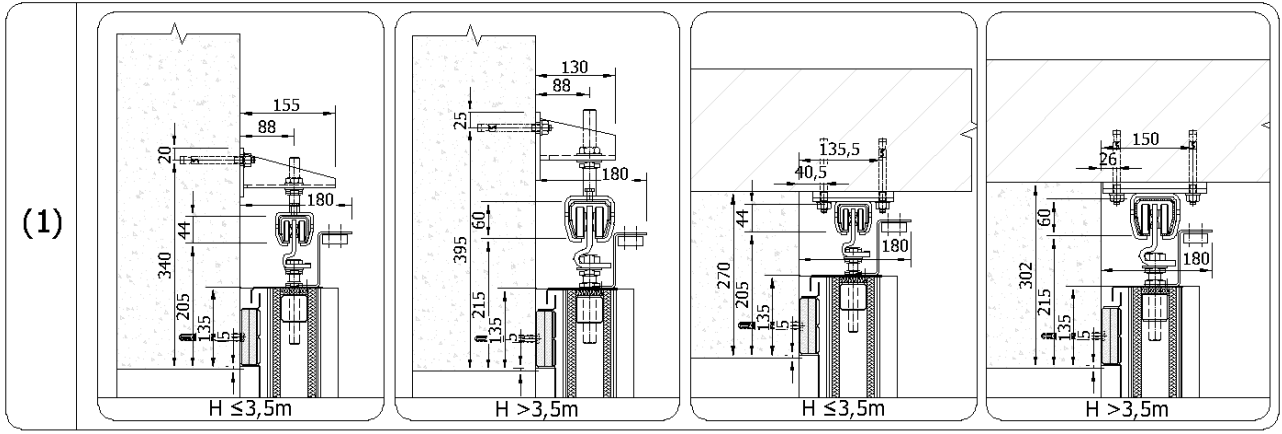


W	opening width [mm]	H	opening height [mm]
D	gate range	= $W/2 + \text{min. } 160 \text{ mm}$	
A1	floor stop	= $D + 130 \text{ mm}$	
A2	overlap from edge of opening	= $D + \text{min. } 350$	
K	length of rail	= $D + W + D \text{ mm}$	
B1	height of rail from floor	= $(H \leq 3,5 \text{ m}) \Rightarrow H + 205 \text{ mm}; (H > 3,5 \text{ m}) \Rightarrow H + 215 \text{ mm}$	
B2	axis of fixing system	= $(H \leq 3,5 \text{ m}) \Rightarrow H + 340 \text{ mm}; (H > 3,5 \text{ m}) \Rightarrow H + 395 \text{ mm}$	
Z	overall height without cover	= $(H \leq 3,5 \text{ m}) \Rightarrow H + 360 \text{ mm}; (H > 3,5 \text{ m}) \Rightarrow H + 420 \text{ mm}$	

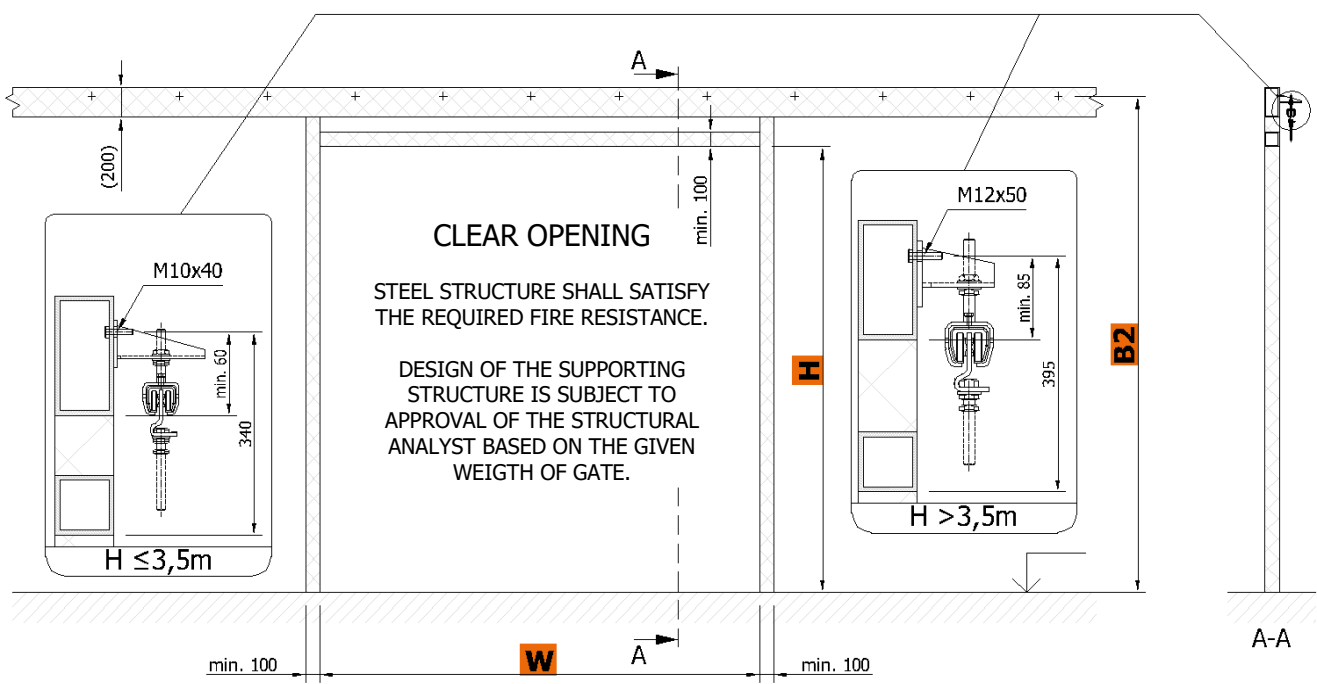
TECHNICAL DATA SHEET SGS (1+1) EI 120 MOTOR



Average weight of gate leaf = 70 kg/m²



Minimum required dimensions of steel structure



Construction readiness of the opening is secured by the customer according to the requirements of the contractor and depending on the type of jamb and lintel of the opening.

Anchor brackets can be fixed with anchor bolts (concrete, solid brick), or to anchor targets with bolts through wall (foam silicate, gas silicate or breeze (hollow) blocks), or to prepared steel structure with appropriate fire resistance (plasterboard wall, sandwich panels etc.). It is necessary to respect the flatness of the wall and the floor with a tolerance of max. 3 mm/m

Technical changes reserved.



Would you like to know more? Contact us.